

### Application

Model SMDR-53 is a leakage rated round smoke damper with extremely low leakage. While the SMDR-53 has been qualified to 2,500 fpm and 4" w.g. for operational closure in emergency smoke control situations, its recommended application is in HVAC systems with velocities to approximately 2000 fpm and 4" w.g.

### Ratings

**Leakage:** UL 555S leakage class I (to 4 in. w.g.)

**Pressure:** 4 in. w.g. - differential pressure

**Velocity:** Operational rated to 2500 fpm.

**Temperature:** 250°F with all actuators. Higher temperature ratings with some actuators.

### Standard Construction

**Frame:** Galvanized steel (in gauges required by UL Listing #R13447)

**Seals:** Silicone rubber.

**Axles:** 1/2" dia. plated steel.

**Bearings:** Bronze sleeve type.

### Size Limitations:

**Minimum Size:** 6" dia.

**Maximum Size:** 24" dia.

### Optional Features:

- Electric or pneumatic actuators to accomplish smoke management and system functions.
- Open/Close Indicator (OCI) for remote indication of blade position.

Model SMDR-53 meets the requirements for smoke dampers established by:

**National Fire Protection Association**  
 NFPA Standards 90A, 92A, 92B & 101

**BOCA National Building Codes**

**ICBO Uniform Building Codes**

**SBCCI Standard Building Codes**

**New York City (MEA listing #260-91-M)**

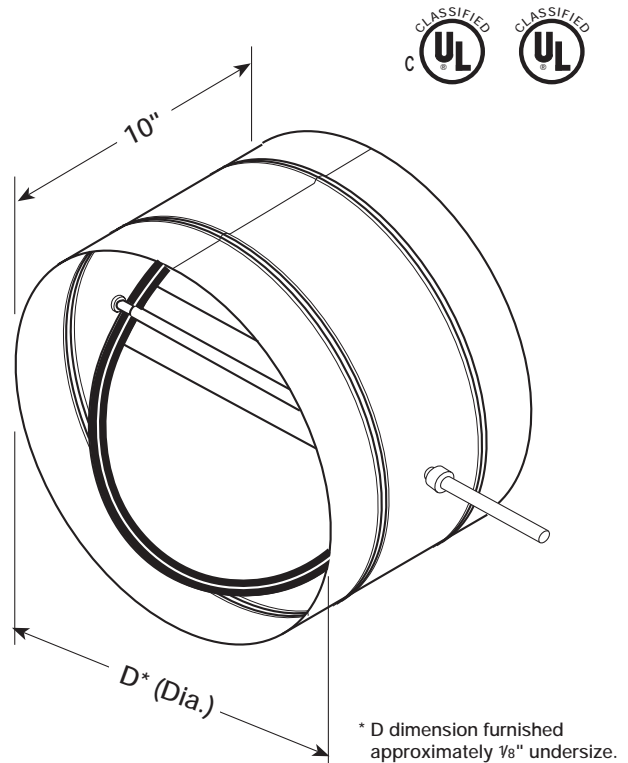
**California State Fire Marshall**

Listing #: 3230-0981:108

"UL CLASSIFIED (see complete marking on product)"

"UL CLASSIFIED to Canadian safety standards (see complete marking on product)"

Standard 555S (Listing #R13447)



Quantity	Diameter, 'D'	Actuator Model	OCI	Remarks
Project			Location	
Contractor			Design Specifier	