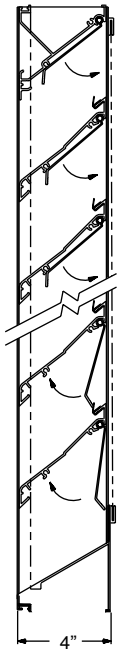




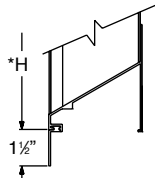
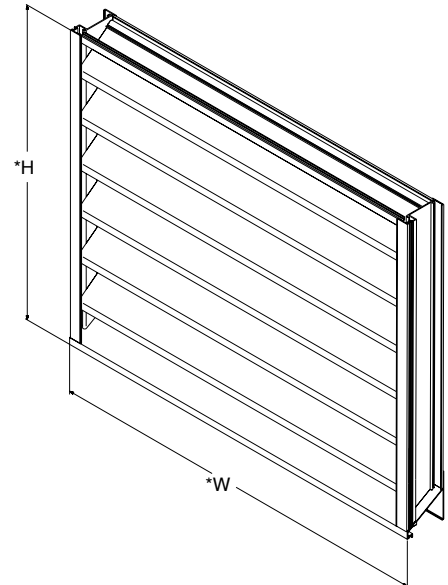
Application and Design

GCE-402 is a combination weather louver and gravity backdraft damper designed to protect air exhaust openings in building exterior walls. Design incorporates drainable head, J style louver blades, pressure/gravity operated damper blades, sloped sill and high free area to provide maximum resistance to rain and weather. Recommended application is in close proximity (preferably ducted) to an exhaust air fan as pressures required to operate the GCE-402 may exceed pressure differentials available without an adjacent fan. See page 2. **The GCE is not recommended for barometric relief applications.**

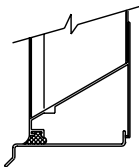


Standard Construction

- Frame: Heavy gauge 6063T5 extruded aluminum, 4 in. x .081 in. nominal dimensions
- Blades: Drainable head member with stationary J style blade, 6063T5 extruded aluminum, 0.081 in. nominal wall thickness, positioned at 45° angles on approximately 4 in. centers, movable damper blade, 6063T5 extruded aluminum nominal wall thickness 0.062 in.
- Blade Seal: Extruded dual - Durometer vinyl blade seals
- Bearing: Integral nylon hinge
- Birdscreen: 3/4 in. x .051 in. flattened expanded aluminum in removable frame. Screen is mounted on inside (rear)
- Finish: Mill
- Minimum Size: 12 in. W x 12 in. H
- Maximum Size: 60 in. W x 96 in. H



OPTIONAL FLANGE



OPTIONAL EXTENDED SILL

Options (at additional cost)

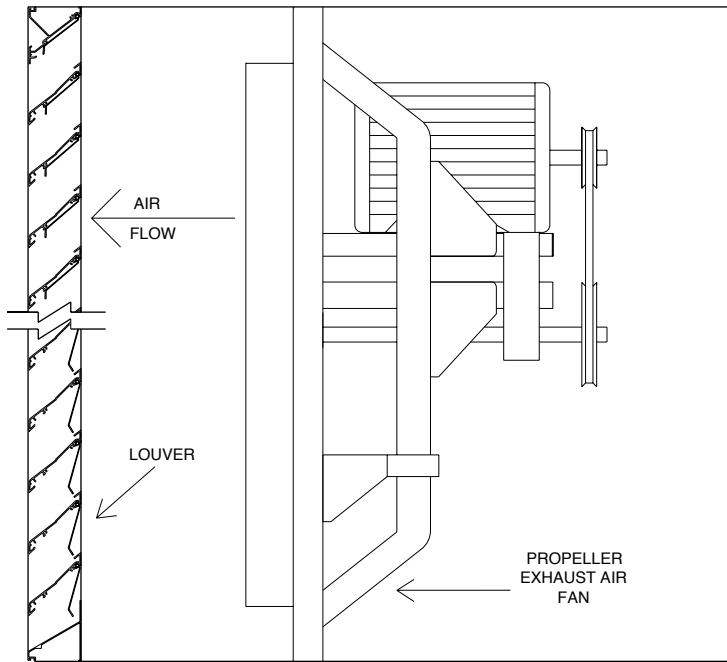
- Flanged frame
- Extended sill
- A variety of bird and insect screens
- A variety of architectural finishes including:
Clear anodize
Integral color anodize
Baked enamel
Kynar

* W & H Dimensions furnished approximately 1/4 inch under size.

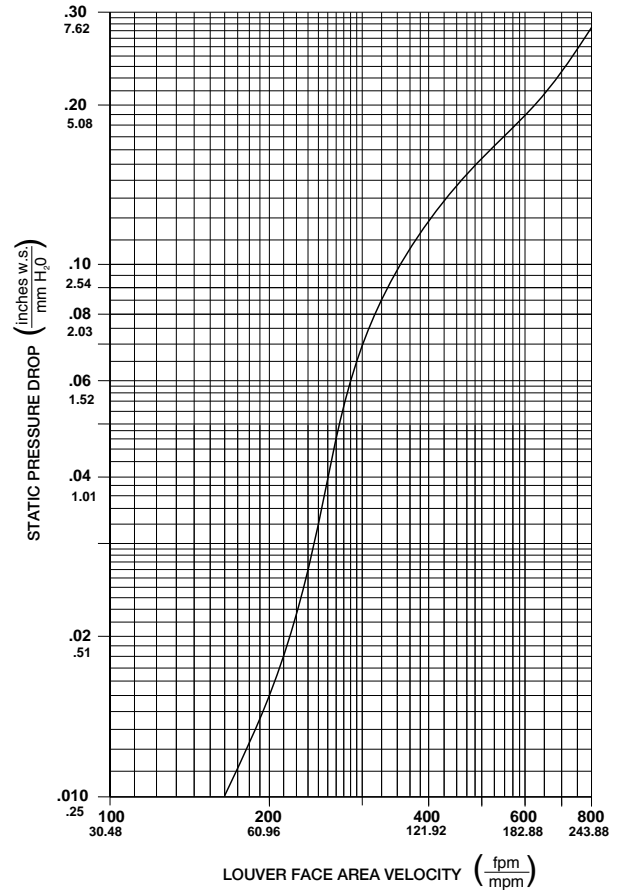
Quantity	Size		
	W Width	H Height	
Project			Location
Contractor			Architect/Engineer

GCE-402 Louver Performance Data

Typical Application



Airflow Resistance (Standard Air - .075 lb/ft³)



Installation Details

