

Specifications

Rating: 240 psi at 250° F
Accuracy: ±3% F. S.

Venturi:

Body: Steel ASTM - A120

Instrument Valves:

Ext. SuperSeal Pressure/Temperature Ports
Design: Low loss, piezo-ring throat

Butterfly Valve:

Body: Cast iron, lug-type body
ANSI Class 125/150

Seat & Gasket: EPDM

Stem: 416 Stainless Steel

Bearings: Bronze sleeve

Disc: Aluminum / Bronze



Model EF shown with standard Extended SuperSeal Pressure/Temperature ports, and optional Model GF Grooved Adapter Flange

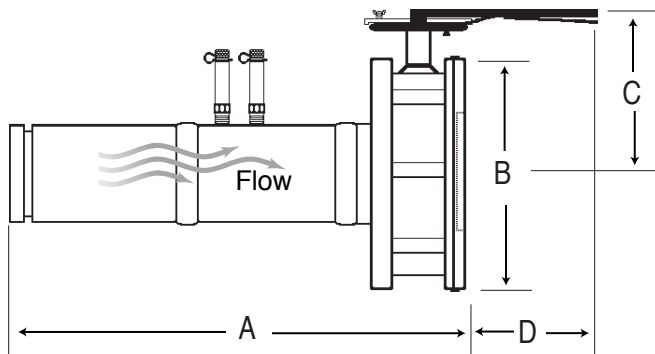
These AccuSetters have an extended inlet section (five-pipe diameters) so valves can be close coupled to an automatic temperature control (ATC) valve.

The AccuSetter uses a low-loss venturi to obtain a measurement accuracy of 3% F. S. The venturi and downstream butterfly valve have been matched and laboratory tested to verify the accuracy. The butterfly has a 2" extended neck above the flange for insulation. The valve handle has an infinite-position memory stop in 2" - 6" sizes or gear operator (8"). The entire assembly has a five-year warranty.

The total pressure drop added to the pump head seldom exceeds one foot. The exact drop can be calculated using the formula on Form F199.

Flow measurement can be obtained with a differential pressure meter reading across the venturi taps.

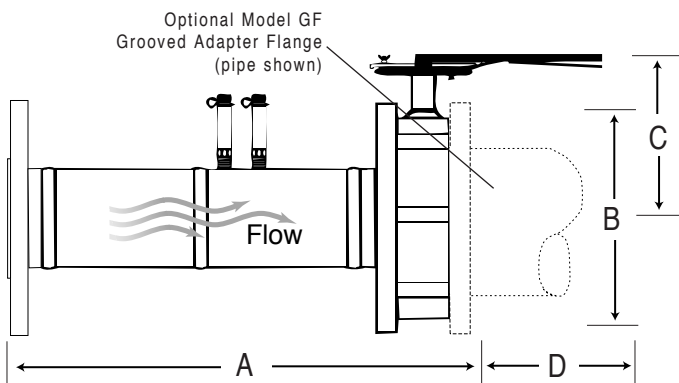
The **design flow** can be obtained by adjusting the valve handle or operator until the desired GPM is reached. The set handle position is maintained by using the memory stop.



Model EG

Model EG AccuSetter includes an extended inlet grooved venturi with a lug butterfly valve mounted on the downstream exit end and a Model GF grooved adapter flange with cap screws, supplied loose, for attachment to the butterfly valve and downstream grooved pipe (Model FG also available). Extended SuperSeal Pressure/Temperature Ports are now standard.

- Field installation requires one standard grooved coupling for the upstream attachment.



Model EF

Model EF AccuSetter includes an extended flanged venturi with a lug butterfly valve attached to the downstream side. Extended SuperSeal Pressure/Temperature Ports are now standard.

- Field installation requires one 150# mating flange. Cap screws are included to mate the butterfly and the customer-supplied flange.

Nominal Dimensions (inches) & Weights (pounds)

Model	Size	Connections	A	B	C	D	Weight
EG0200(*)	2"	Grooved	18.5	6.0	6.6	0.8	21.9
EF0200(*)		150# Flange	18.3	6.0	6.6	0.8	23.7
EG0250(*)	2 1/2"	Grooved	21.2	7.0	7.2	0.9	31.7
EF0250(*)		150# Flange	20.8	7.0	7.2	0.9	33.6
EG0300(*)	3"	Grooved	26.3	7.5	7.6	1.0	42.6
EF0300(*)		150# Flange	25.9	7.5	7.6	1.0	44.5
EG0400(*)	4"	Grooved	34.3	9.0	8.4	1.0	69.5
EF0400(*)		150# Flange	33.9	9.0	8.4	1.0	71.6
EG0500(*)	5"	Grooved	39.9	10.0	9.0	1.0	92.4
EF0500(*)		150# Flange	39.5	10.0	9.0	1.0	95.2
EG0600(*)	6"	Grooved	45.6	11.0	9.7	1.0	131.5
EF0600(*)		150# Flange	45.1	11.0	9.7	1.0	134.0
EG0800(*)	8"	Grooved	56.6	13.5	7.5	1.2	228.0
EF0800(*)		150# Flange	56.0	13.5	7.5	1.2	230.9

Additional Information

* denotes L (low flow) or H (high flow) must be specified. All weights and dimensions given are in pounds and inches and are subject to change.

Venturi products made from fabricated materials may vary ±1/16 inch per component. Dimensions not to be used for construction unless prints certified by factory.

Model Designation

Model / Size
4" EG Shown

EG0400L - MI

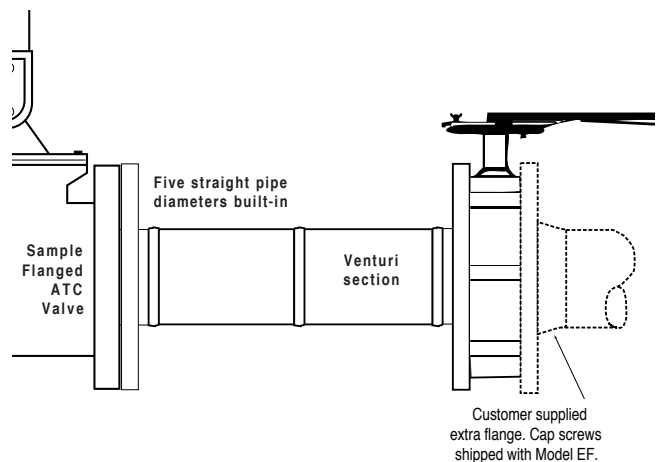
Flow Range
Low Flow Range Shown

L = Low Flow Range H = High Flow Range

Options
Use for options that have specific locations.
Metal ID Tag Shown

- | | |
|------------------------------------------------------------------------------------|--------------------------------------------------------------------------------|
| FG Grooved Accessory Flange | QD Pair of 1/4" Mini Ball Valves w/ Hydraulic Quick Disconnect Fittings |
| GF Grooved Flange Adapter | SE Stem Extender |
| MI Metal Tag | |
| PI Plastic Tag | |
| PM Pair of 1/4" Mini Ball Valves w/ Refrigeration Quick Disconnect Fittings | Other options are available; see Product Pricing and Order Guide (F008). |

Supplemental Installation Instructions



See Venturi & AccuSetter Valves Installation, Operation & Maintenance (F033) for more information.