

Specifications

Assembly Rating: 225 psi at 250°F

Flow Regulator

Body: Cast Iron
Flow Cartridge: Stainless Steel Wear Surfaces
 Stainless Steel Spring

Butterfly Valve

Body: Cast Iron, Lug-type
 ANSI Class 125/150

Seat & Gasket: EPDM

Stem: 416 Stainless Steel

Bearings: Bronze Sleeve

Disc: Aluminum / Bronze

Flanged Reducer: ANSI 150# Forged Steel



3" Model WR shown
 with standard access ports

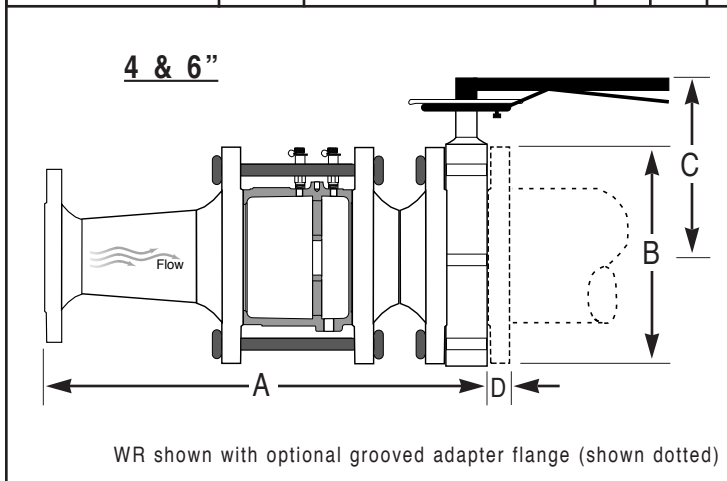
Product Description: This AutoFlow assembly is designed to attach directly to Flanged ATC Valves which are smaller than runout size. The AutoFlow regulator is factory set to automatically limit the specified flow to within ± 5 percent accuracy. The flanged reducer, flow regulator and butterfly valve are shipped assembled. The maximum GPM flows for each size is shown below. Ten GPM reduced increments are available (i.e.: 3" (3-20) control range is available 200, 190, 180, 170, etc.)

Butterfly Valve The lug-type butterfly valve has a 2" extended neck for insulation. Units have an infinite-position handle and memory stop.

Pressure Drop The pressure drop of the WR assembly is 3 psi or 6.9 ft. (3-20 range) plus the loss through the butterfly valve which can be calculated using the Cv rates in the chart below. The loss for other control ranges are shown in note 2 below.

Nominal Dimensions & Weights / Cv Rates

Model	Size	Connections	A	B	C	D	Weight	Max No. of Cartridges	Maximum GPM (see note 3) Control Range (see note 4)			Butterfly Cv
									3-20	5-40	7-45	
WR300 - 250 (-)	3"	2 1/2" Inlet & 3" Outlet	19.5	7.5	7.6	1.0	45	1	200	250	300	262
WR400 - 250 (-)	4"	2 1/2" Inlet & 4" Outlet	27.7	9.0	8.4	1.0	64	2	400	500	600	647
WR400 - 300 (-)	4"	3" Inlet & 4" Outlet	27.7	9.0	8.4	1.0	66	2	400	500	600	647
WR600 - 300 (-)	6"	3" Inlet & 6" Outlet	29.9	11.0	9.7	1.0	145	4	800	1000	1200	1580
WR600 - 400 (-)	6"	4" Inlet & 6" Outlet	30.1	11.0	9.7	1.0	148	4	800	1000	1200	1580
WR600 - 500 (-)	3"	4" Inlet & 6" Outlet	30.6	11.0	9.7	1.0	153	4	800	1000	1200	1580



NOTES

- The (-) in the model number must be replaced by: 3 (3-20), 4 (5-40) or 5 (7-45).
- For pump head calculations, the following loss applies for each range: 6.9 ft. (3-20); 11.6 ft. (5-40); & 16.2 ft. (7-45).
- All models can have reduced flows in 10 GPM increments.
- All weights and dimensions given are in pounds and inches and are subject to minor changes.

Dimensions not to be used for construction unless prints certified by factory.

