

Specifications

- Body:** Forged Brass
- Flow Cartridge:** Series 300 Stainless Steel Wear Surfaces with Stainless Steel Spring
- Accuracy:** ±5 %
- Rating:** 400 PSIG at 250° F

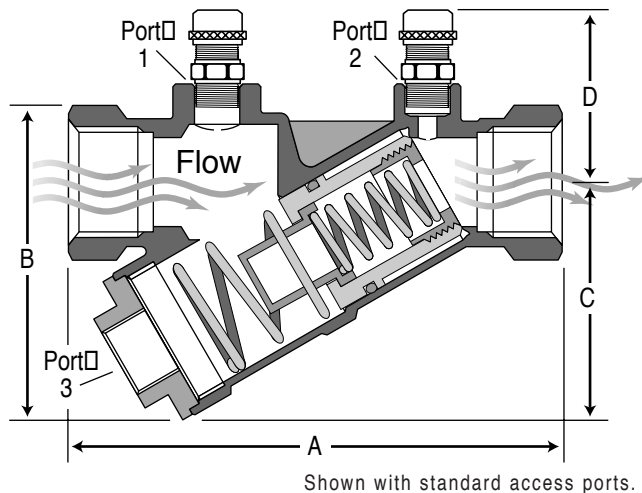
AutoFlow regulator, factory set to automatically limit the flow to within 5% of the specified amount. The flow cartridge is removable from the valve body to provide access for regulator changeout, inspection and cleaning without breaking the main piping. Internal wear surfaces of the valve cartridge are stainless steel. 1/2"-1" available FPT X FPT or SWT X SWT, 1 1/4"-2" available FPT X FPT. SWT X SWT available for 1 1/4"-2" with the addition of optional brass sweat connectors. Access (Schrader type) ports are standard, temperature/pressure ports optional.



YR shown with optional SuperSeal™ Pressure / Temperature ports.

Nominal Dimensions & Weights / Cv Rates

Model	Size	Connections	A	B	C	D	Weight	Cv	Pressure Drop [†]	
									2-32	5-60
YR050	1/2"	SWT	3.58	2.31	1.94	2.21	.99	7.6	2 PSI	5 PSI
		FPT	3.98	2.50	1.94	2.21				
YR075	3/4"	SWT	3.94	2.47	1.94	2.21	1.04	8.7	2 PSI	5 PSI
		FPT	4.17	2.63	1.94	2.21				
YR100	1"	SWT	5.34	3.21	2.56	2.35	1.87	15.3	2 PSI	5 PSI
		FPT	5.53	3.43	2.56	2.35				
YR125	1 1/4"	FPT	5.83	3.61	2.56	2.35	2.14	15.2	2 PSI	5 PSI
YR150	1 1/2"	FPT	6.97	5.24	4.04	2.55	4.04	38.7	2 PSI	5 PSI
YR200	2"	FPT	7.05	5.51	4.04	2.55	4.49	42.1	2 PSI	5 PSI
YR250	2 1/2"	FPT	9.06	7.01	5.18	2.94	8.00	87.2	2 PSI	5 PSI



NOTES

Weights based on FPT X FPT connections and will vary with mixed options/connections.

All weights and dimensions given are in pounds and inches and are subject to minor changes.

Cv's based on component body without flow regulator.

[†]For pump head calculations, add the indicated AutoFlow pressure drop to calculated drops for other components.

Dimensions not to be used for construction unless prints certified by factory.

