

Model FD-150X Type R

High Free Area

1 1/2 Hour Fire Resistance Rating

Application

Mode FD-150X is approved for use in walls, floors and partitions with fire resistance ratings less than 3 hours. This model carries a 1 1/2 hour UL fire damper label. UL 555 classifies static rated fire dampers for use in HVAC systems that are automatically shut down in the event of fire.

Construction

Damper is galvanized steel (in gauges required by UL listing R-13317) sleeve is 20 ga. galvanized steel.

Installation

This model damper requires no additional sleeves but does require the use of angles and installation methods described in Greenheck Fire Damper Installation Instructions #453946, included with every damper shipment. SSC option replaces the angle requirement previously mentioned (installation instructions #455246).

Model FD-150X meets the requirements for fire dampers established by:

National Fire Protection Association
(NFPA Standards 90A & 101)

BOCA National Building Codes

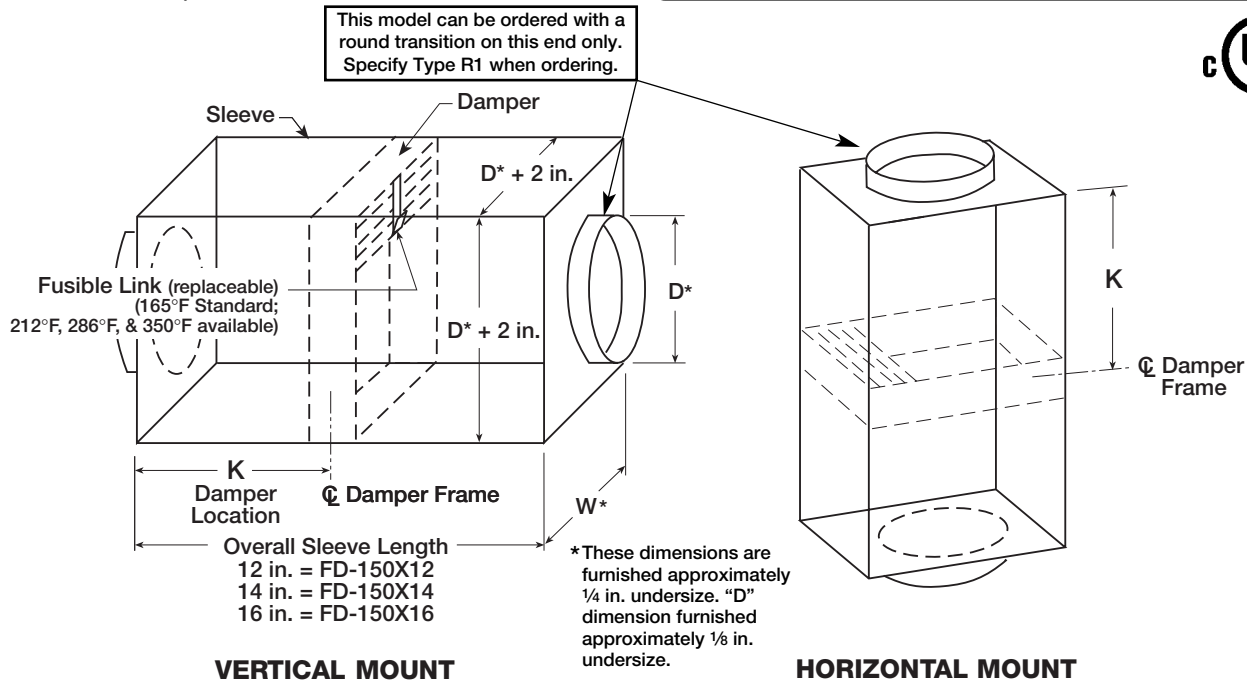
ICBO Uniform Building Codes (UBC Standard 43-7)

SBCCI Standard Building Codes

New York City (MEA listing #260-91-M)

California State Fire Marshal (Listing #3225-981:102)

"UL CLASSIFIED (see complete marking on product)"
"UL CLASSIFIED to Canadian safety standards (see complete marking on product)"
Standard 555 (Listing #R13317)



"K" dimension specifies location of damper within the sleeve. Standard "K" dimension is one half of sleeve length (damper centered in sleeve). Optional "K" dimensions for each model are shown below:
FD-150X12- "K" can be specified as 4, 5, 6, 7 or 8 in.
FD-150X14- "K" can be specified as 6, 7 or 8 in.
FD-150X16- "K" is always 8 in.
All dimensions and gauges are nominal.

Horizontal dampers must be installed with the "K" dimension on the top side as shown (per UL test: see label on damper).

Horizontal dampers must have the access door installed on the top side to facilitate reopening of the blades should the link melt.

Qty.	Model	Mount (V)Vert. (H)Horz.	Damper Size		Fusible Link Temp (165°F std.)	Damper Location	SSC Option
	12 in. 14 in. 16 in.		W* D*	H*		K	

Project	Location
Contractor	Design Specifier

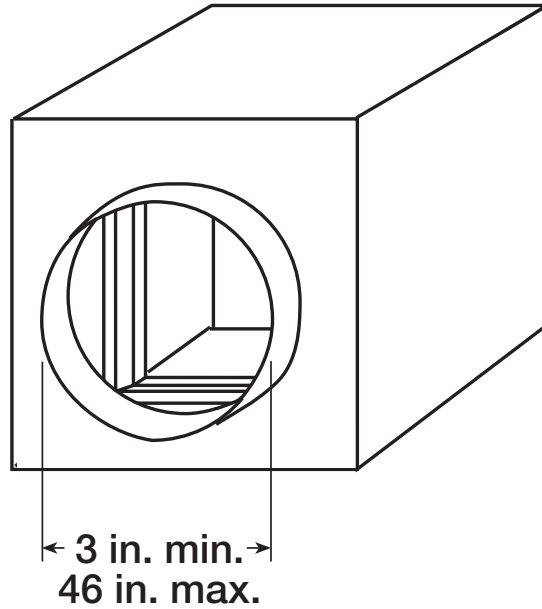
SIZING DATA

FD-150X TYPE R

Factory sleeved FD-150X dampers are available only as single section dampers.

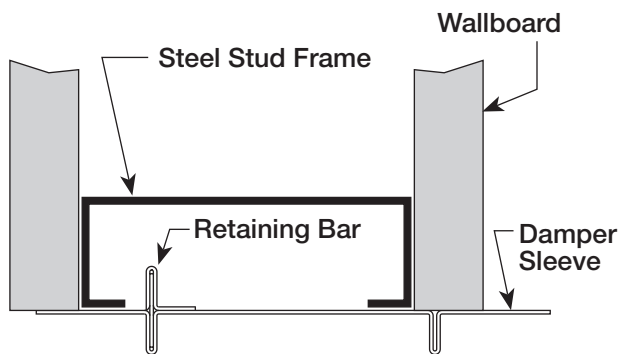
SIZE LIMITATIONS

Vertical or Horizontal	
Minimum	3 in. dia.
Maximum	46 in. dia.



Steel Stud Connection (SSC) Option

The Steel Stud Connection (SSC) Option allows fastening of the damper sleeve (up to 34" diameter) directly to the wall's steel stud framing. This option replaces the angles that were previously required for wall installations.



Cross-Section A-A

