

**Model FD-150 Type R**
**High Free Area**
**1 1/2 Hour Fire Resistance Rating**
**Application**

Model FD-150 is approved for use in walls, floors and partitions with fire resistance ratings less than 3 hours. This model carries a 1 1/2 hour UL fire damper label. UL 555 classifies static rated fire dampers for use in HVAC systems that are automatically shut down in the event of fire.

**Construction**

Galvanized steel (in gauges required by UL listing R-13317)

**Installation**

All fire damper installations require the use of sleeves, angles and methods described in Greenheck Fire Damper Installation Instructions #452763, included with every damper shipment. Sleeves can be field fabricated or factory furnished as a complete damper/sleeve assembly. See Factory Sleeve Option below for details.

Model FD-150 meets the requirements for fire dampers established by:

**National Fire Protection Association**  
(NFPA Standards 90A & 101)

**BOCA National Building Codes**

**ICBO Uniform Building Codes** (UBC Standard 43-7)

**SBCCI Standard Building Codes**

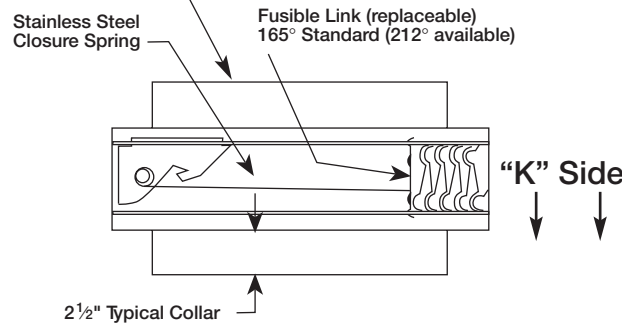
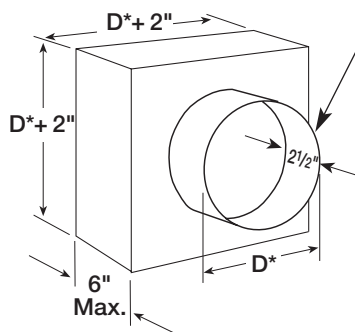
**New York City** (MEA listing #260-91-M)

**California State Fire Marshal** (Listing #3225-981:102)

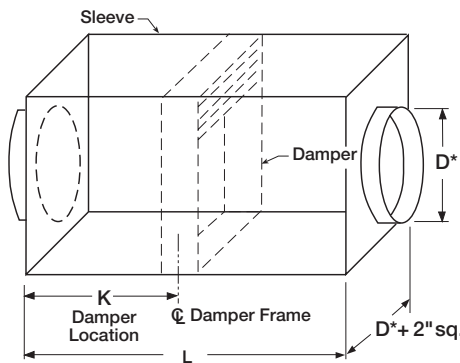
**"UL CLASSIFIED (see complete marking on product)"**  
**"UL CLASSIFIED to Canadian safety standards (see complete marking on product)"**  
 Standard 555 (Listing #R13317)



This model can be ordered with a round transition on this end only. Specify Type R1 when ordering.



\*These dimensions are furnished approximately 1/4" undersize. (Add sleeve thickness for overall sleeved damper dimension). "D" dimension furnished approximately 1/8" undersize.


**Factory Sleeve Option**

FD-150 Fire Dampers are available in factory furnished sleeves. Sleeves are galvanized steel and are available in 10 thru 20 ga. thicknesses and lengths up to 36".

"K" dimension specifies location of damper within the sleeve. Minimum is 4", maximum is "L" less 4", which allows for mounting angle installation and duct connection at each end of sleeve. If "K" dimension is not specified, it will be provided as one half of "L" dimension (damper centered in sleeve).

Horizontal dampers must be installed with the "K" dimension on the bottom side.

| Qty. | Model             | Mount<br>(V)Vert.<br>(H)Horz. | Damper Size |    | Fusible Link Temp<br>(165°F std.) | Damper Location | SSC Option |
|------|-------------------|-------------------------------|-------------|----|-----------------------------------|-----------------|------------|
|      | 12"<br>14"<br>16" |                               | W*<br>D*    | H* |                                   | K               |            |
|      |                   |                               |             |    |                                   |                 |            |
|      |                   |                               |             |    |                                   |                 |            |
|      |                   |                               |             |    |                                   |                 |            |
|      |                   |                               |             |    |                                   |                 |            |

|            |                  |
|------------|------------------|
| Project    | Location         |
| Contractor | Design Specifier |

# SIZING DATA

# FD-150 TYPE R

Dampers larger than maximum single section size are supplied as a factory assembly of two or more sections of equal size.

Transition is centered on damper frame (or frame assembly for multiple section dampers).

## SIZE LIMITATIONS

|         | Vertical or Horizontal | Vertical Only |
|---------|------------------------|---------------|
| Minimum | 3" dia.                | NA            |
| Maximum | 46" dia.               | 72" dia.      |

Type 'R' dampers over 46" dia. utilize reinforcement rods and a vertical mullion.

