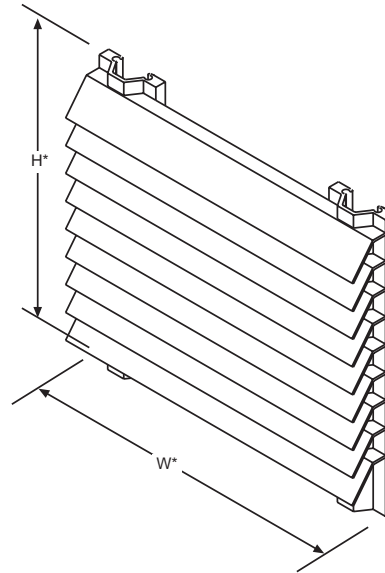


Application and Design

ESU-150S is a frameless ultra Thin-Line stationary louver commonly used for interior or exterior applications where high free area and low airflow resistance is required. The narrow depth makes them ideal products for installation into thru-wall air conditioning units.


Standard Construction

Frame: Frameless design
 Blade: Thin-Line style, 6063T5 extruded aluminum, 0.063" nominal wall thickness, positioned at 52° angles on 3/4" centers
 Finish: Mill
 Minimum Size: 12.5"W x 6"H
 Maximum Single Section Size: 96"W x 48"H

Options (at additional cost)

- A variety of architectural finishes including:
 - Clear anodized
 - Integral color anodized
 - Baked enamel
 - Kynar

* W & H Dimensions furnished approximately 1/4" under size.

Quantity	Size	
	W Width	H Height
Project	Location	
Contractor	Architect/Engineer	

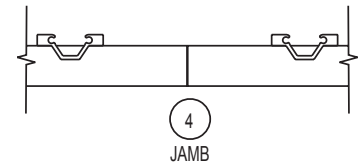
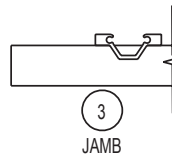
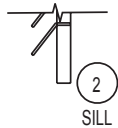
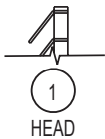
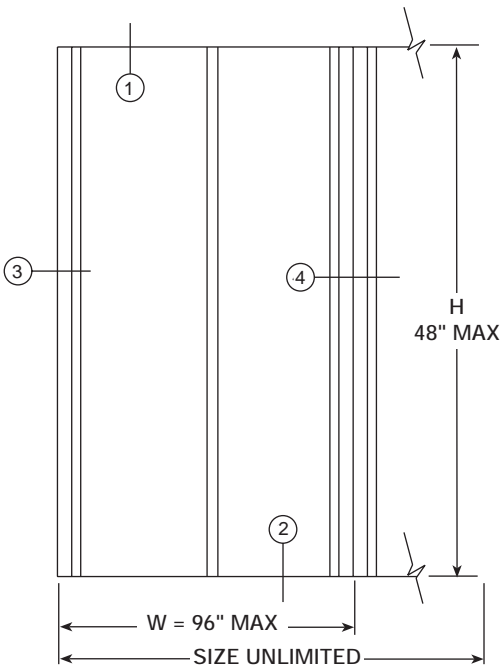
ESU-150S Louver Performance Data

Free Area Chart

Louver Height Inches	Louver Width in Inches																Louver Height Inches
	10	12	18	24	30	36	42	48	54	60	66	72	78	84	90	96	
6	0.12	0.16	0.27	0.39	0.5	0.62	0.74	0.85	0.93	1.05	1.16	1.28	1.36	1.48	1.59	1.71	6
9	0.19	0.25	0.43	0.61	0.79	0.98	1.16	1.34	1.47	1.65	1.83	2.02	2.14	2.33	2.51	2.69	9
12	0.26	0.34	0.59	0.84	1.09	1.33	1.58	1.83	2.01	2.25	2.5	2.75	2.93	3.18	3.42	3.67	12
15	0.33	0.43	0.75	1.06	1.38	1.69	2.01	2.32	2.54	2.86	3.17	3.49	3.71	4.02	4.34	4.65	15
18	0.4	0.52	0.9	1.29	1.67	2.05	2.43	2.81	3.08	3.46	3.84	4.22	4.49	4.87	5.25	5.64	18
21	0.46	0.61	1.06	1.51	1.96	2.4	2.85	3.3	3.62	4.06	4.51	4.96	5.28	5.72	6.17	6.62	21
24	0.53	0.71	1.22	1.73	2.25	2.76	3.28	3.79	4.15	4.67	5.18	5.69	6.06	6.57	7.08	7.6	24
27	0.6	0.8	1.38	1.96	2.54	3.12	3.7	4.28	4.69	5.27	5.85	6.43	6.84	7.42	8	8.58	27
30	0.67	0.89	1.53	2.18	2.82	3.47	4.11	4.76	5.22	5.86	6.51	7.15	7.61	8.26	8.9	9.54	30
33	0.74	0.98	1.69	2.4	3.11	3.82	4.54	5.25	5.75	6.46	7.18	7.89	8.39	9.1	9.81	10.53	33
36	0.81	1.07	1.85	2.63	3.4	4.18	4.96	5.74	6.29	7.07	7.84	8.62	9.17	9.95	10.73	11.51	36
39	0.88	1.16	2.01	2.85	3.69	4.54	5.38	6.23	6.83	7.67	8.51	9.36	9.96	10.8	11.64	12.49	39
42	0.95	1.25	2.16	3.08	3.98	4.9	5.81	6.72	7.36	8.27	9.18	10.1	10.74	11.65	12.56	13.47	42
45	1.02	1.34	2.32	3.3	4.27	5.25	6.23	7.21	7.9	8.87	9.85	10.83	11.52	12.5	13.48	14.45	45
48	1.08	1.43	2.48	3.52	4.56	5.61	6.65	7.7	8.44	9.48	10.52	11.57	12.31	13.35	14.39	15.44	48

Louver Free Area in Square Feet

Typical Details



Airflow Resistance (Standard Air - .075 lb/ft³)

