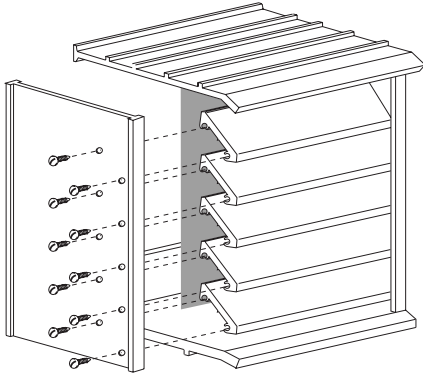


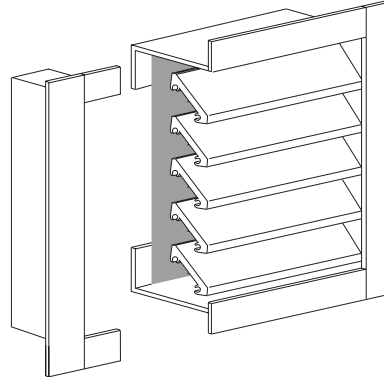


### Application

Brick vents provide a permanent means of ventilation for crawl spaces, hung ceilings, incinerator rooms, chimney flues, foundations, pipe spaces and corridors. Extruded construction provides a quality finished appearance. Water stops and deep overlapping blades, each with integral storm drip, provide maximum resistance to rain and weather.



**Model BVE**  
4" deep  
(Used primarily for new construction)



**Model BVF**  
1 1/2" deep with 1" face flange  
(Used primarily for renovation)

### Standard Construction

Frame: Heavy gauge 6063T5 extruded aluminum, .125" nominal wall thickness. Model BVE frame is 4" deep with 1/8" mortar ribs top and bottom (adding 1/4" to nominal height). Model BVF frame is 1 1/2" deep (fastener heads add 1/4" to nominal width).

Blades: Heavy gauge 6063T5 extruded aluminum, .125" nominal wall thickness. 45° blades overlap for optimum visual screening. Maximum free area is 39%.

Screen: 18" x 14" mesh aluminum insect screen.

Finish: 204-R1 clear anodize.

Sizes Available: Standard sizes shown below. Other sizes available to maximum of 96" x 96".

### Options (at additional cost)

- Opposed Blade Damper (available on most BVE sizes)
- Single Blade Flap Damper (available on most BVE & BVF sizes)
- Straight Duct .063" aluminum (for up to 18" wall thickness)
- Integral Color Anodize (medium or dark bronze only)
- Baked Enamel Finish

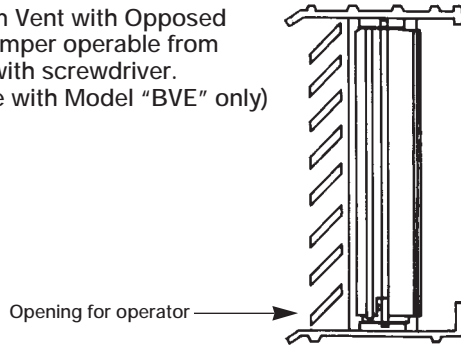
Quantity	BVE	BVF	Model	Nominal Size
			825	8 1/8" x 2 3/8"
			847	8 1/8" x 4 3/4"
			808	8 1/8" x 7 3/4"
			123	12" x 2 3/8"
			125	12" x 4 3/4"
			128	12" x 7 3/4"
			1212	12" x 11 3/4"
			157	15 5/8" x 7 3/4"
			1516	15 5/8" x 15 3/4"
			162	16 1/2" x 2 3/8"
			164	16 1/2" x 4 3/4"
			168	16 1/2" x 7 3/4"
			1616	16 1/2" x 15 3/4"
			242	24" x 2 3/8"
			244	24" x 4 3/4"
			248	24" x 7 3/4"
			3208	32" x 7 3/4"
			4808	48" x 7 3/4"

Project: _____	Location: _____
Contractor: _____	Design Specifier: _____

# Extruded Aluminum Brick Vent Options

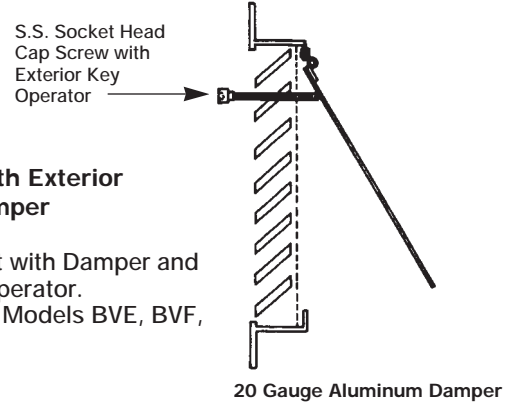
## Brick Vent with Opposed Blade Damper

Aluminum Vent with Opposed Blade Damper operable from exterior with screwdriver.  
(Available with Model "BVE" only)



## Brick Vent with Exterior Operated Damper

Aluminum Vent with Damper and Exterior Key Operator.  
(Available with Models BVE, BVF, and BVC.)



## Brick Vent with Straight Duct

Straight Ducts, made of .063" aluminum securely fastened in place. Specify vent type and wall thickness. (Available with Models BVE, BVF, and BVC.)

